



Bathtub - VAIA

Tub spout without diverter for deck-mounted installation - polished chrome

Article number: 13 612 809-00



- 8-5/8" Projection
- Round aerated stream
- Total height 13-5/8"
- Height to aerator/spout outlet 9-5/8"
- 1-1/4" hole diameter
- Flange diameter 2-3/8"
- 1/2" connection
- Water flow rate limited to max. 5.7 gpm

Codes & Standards

- ASME A112.18.1/CSA B125.1
- Fittings group in compliance with DIN 4109: 1
- Internal backflow preventer.



polished chrome

Discontinued items available to order until 31.12.9999

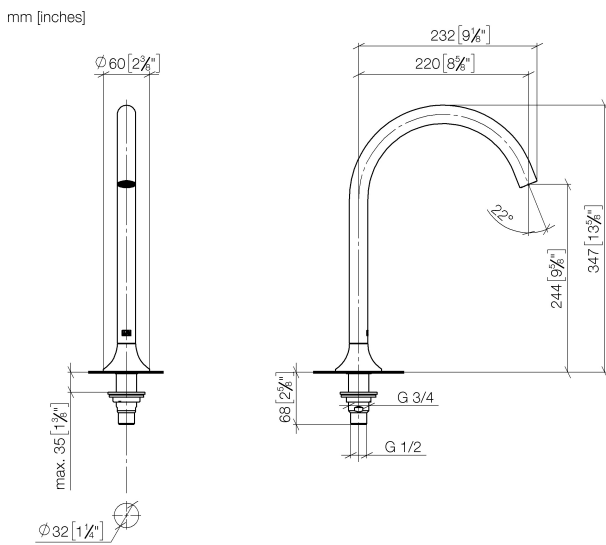


Bathtub - VAIA

Tube spout without diverter for deck-mounted installation - polished chrome

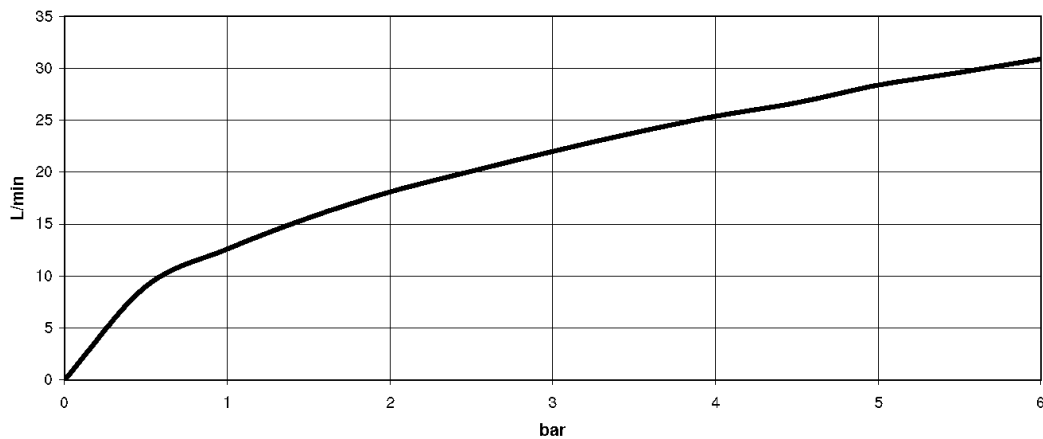
Article number: 13 612 809-00

Dimensional drawing



All dimensions in mm / inch = mm x 0,0394

Flow rate chart





Bathtub - VAIA

Tub spout without diverter for deck-mounted installation - polished chrome

Article number: 13 612 809-00

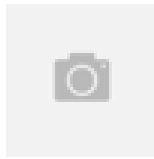
Other surface finishes



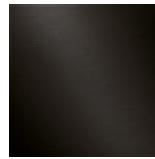
platinum matte
13 612 809-06



platinum
13 612 809-08



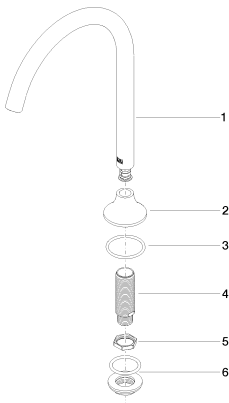
Brushed Durabronze
13 612 809-28



Dark Platinum matte
13 612 809-99

More custom finish options are available via special production (xTra Service). Please see our finish matrix for availability and pricing or contact a Dornbracht representative.

Spare parts list



Number	Item Number	Designation	Number of units
1	90 28 22 316 00-00	spout	1
2	09 27 80 014-00	rosette	1
3	09 14 10 084 90	seal	1
4	90 30 01 033 00 90	base	1
5	09 23 10 127 90	nut	1
6	04 23 10 004 04 90	fixing set	1
7	04 17 11 020 10 90	distributor	1
8	90 23 10 012 00 90	gasket kit	1